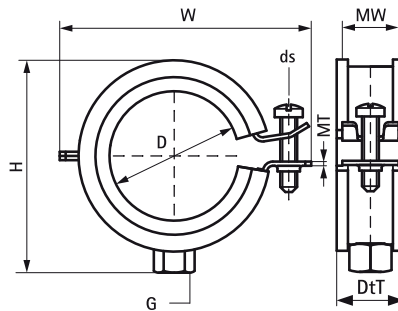


## Walraven BISMAT® 2000 (M8/10) 1-screw

(A0516)

for steel, copper, cast iron and plastic (multilayer) pipe



### Features & benefits

- single screw clamp
- with Walraven BISMAT® quick locking system
- material: steel
- zinc plated
- sound insulating lining according DIN 4109
- noise reduction according to ISO 3822-1 up to 23 dB(A)
- tested for fire safety



Product Number	Outside Pipe Diameter	Connection Thread	Material Width x Material Thickness	Screw Size	Total Width x Total Height x Total Depth	Maximum Allowed Load Faz
Reference letter	D	G	MW x MT	ds	W x H x DtT	Fa,z
Unit description	(mm)		(mm) x (mm)		(mm) x (mm) x (mm)	(N)
3403018	15 - 18	M8/M10	20 x 1	M6	47 x 46 x 20	600
3403023	20 - 23	M8/M10	20 x 1	M6	52 x 51 x 20	600
3403028	25 - 28	M8/M10	20 x 1	M6	57 x 56 x 20	600
3403035	31 - 35	M8/M10	20 x 1	M6	64 x 63 x 20	600
3403043	40 - 43	M8/M10	20 x 1.25	M6	72 x 71 x 20	800
3403053	48 - 51	M8/M10	20 x 1.25	M6	80 x 79 x 20	800
3403054	53 - 56	M8/M10	20 x 1.25	M6	85 x 84 x 20	800
3403063	57 - 63	M8/M10	20 x 1.25	M6	91 x 90 x 20	800